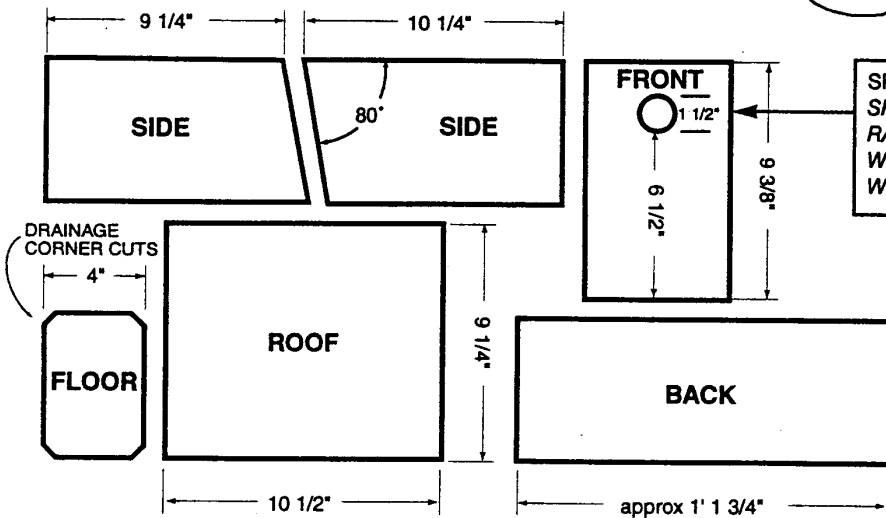
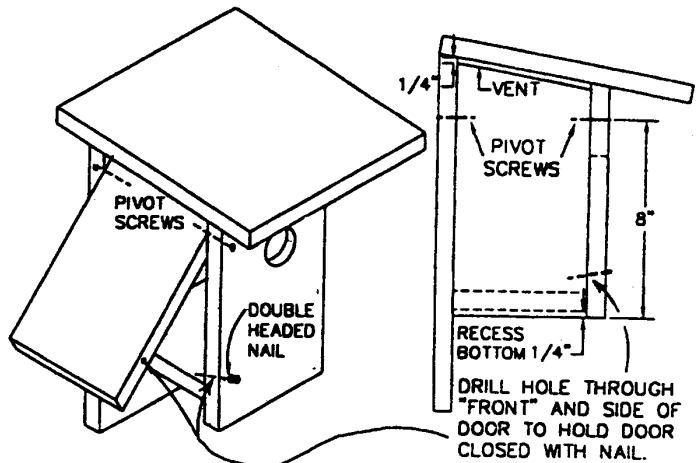


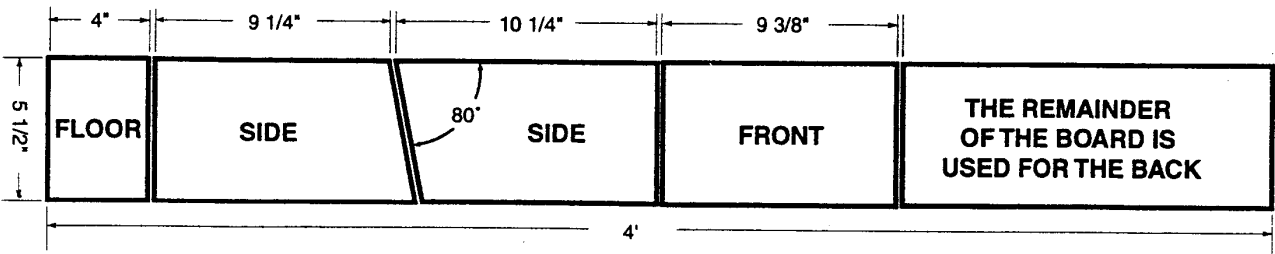
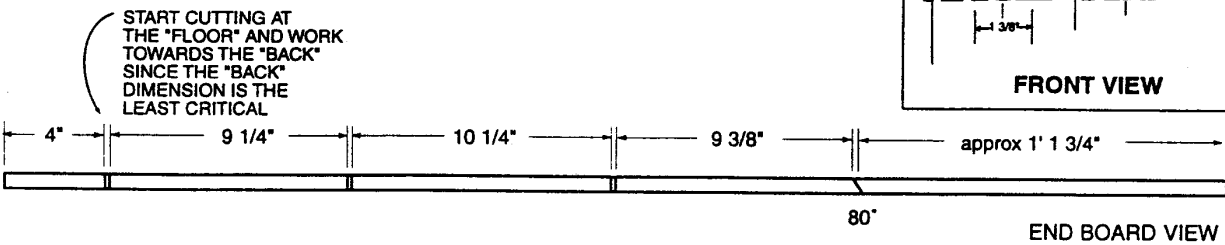
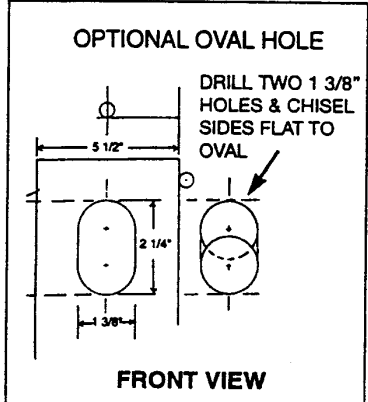


The North American Bluebird Society Eastern/Western Bluebird Nest Box

- MATERIALS LIST**
- STANDARD BOARD 1" x 6" - 4 FEET LONG
 - STANDARD BOARD 1" x 10" - 10 1/2" LONG
 - 1 3/4" GALVANIZED NAILS OR SCREWS - APPROX. 20
 - 1 3/4" GALVANIZED SCREW FOR PIVOT POINT - 2
 - DOUBLE HEADED NAIL FOR HOLDING DOOR CLOSED - 1



SPECIAL NOTE: A 1 9/16" HOLE SHOULD BE USED WHERE THE RANGES FOR EASTERN OR WESTERN BLUEBIRDS OVERLAP WITH THE MOUNTAIN BLUEBIRDS.



For membership information, send a note and a self-addressed, stamped envelope to: North American Bluebird Society, P. O. Box 74, Darlington, WI 53530-0074. For bluebirding information, visit the NABS website at <<http://www.nabluebirdsociety.org/>>